

Aluminum Outdoor Wall Mount

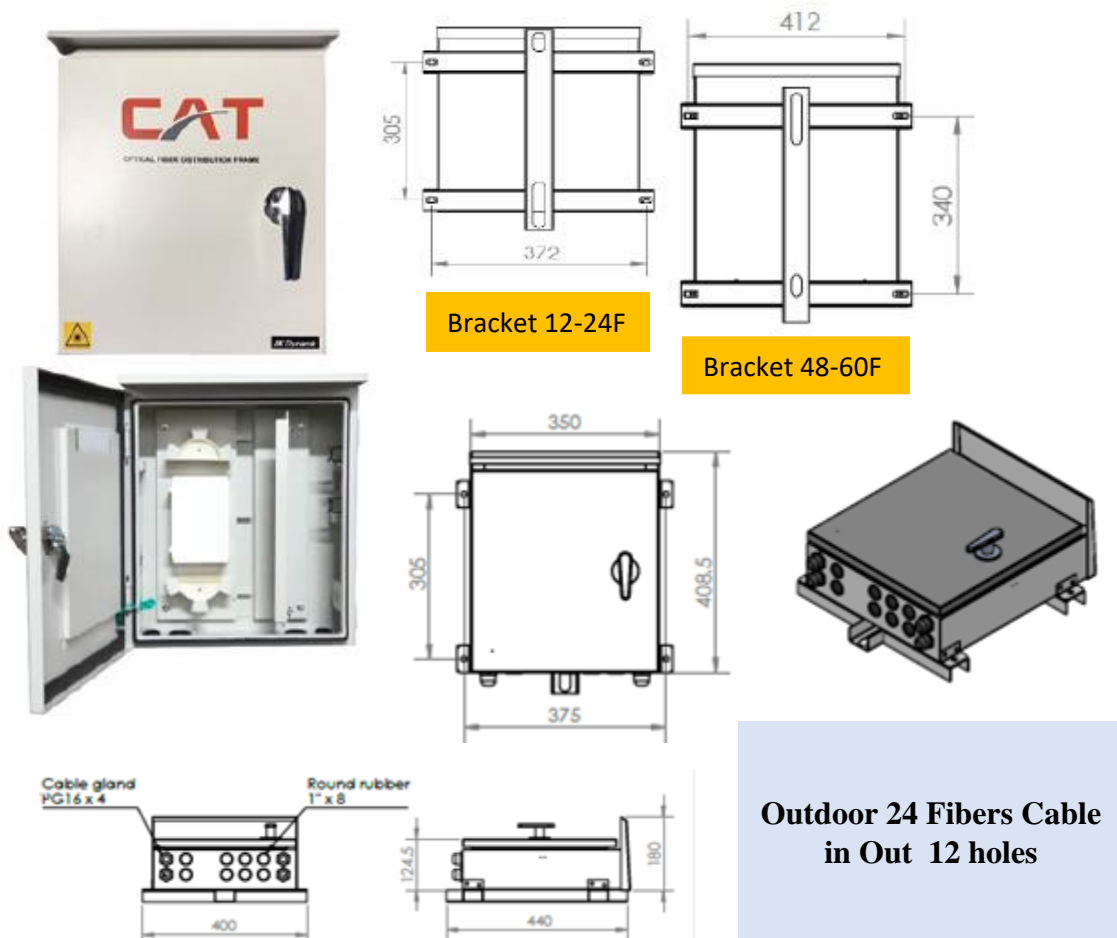
12 -24, 48-60 F OFCCC & FTTx

Made of 1.5 mm stainless and Aluminum sheet, powder coated 65 microns in the standard beige color. Available for 12, 24, 48, 60, 72, 120, 128, 144, 240; cable insertion pre-punched for cable gland PG 21; as well as with connectors. Depending on the cable diameter, the cable can be stored in pre-formed holes through a sectional cable inlet or cable feeding through a grommet. Easy access of FC, SC, LC, ST, E2000, OFCC & FTTx 1:2 panel and 1:64 PLC Splitter. 1 door lockable and 12 Key IP 65, 24 splice tray protected adapter holder panel. Sliding material: aluminum 1.5 & 2 mm.

Aluminum Outdoor Wall Mount 12 – 24 Fibers

Size: 120 (D) x 399 (H) x 350 (W)

Material: Aluminum 1.5 mm



Features / Benefits

1. Provide easy access for connector FC, SC, LC, ST, E2000 panel
2. OFCCC & FTTx 1:2 up to 1:64 PLC Splitter
3. One door lockable and Key IP 65
4. IP 65 protected
5. 12, 24 splice tray holders
6. Panel for adapter can be sliding
7. Material: Aluminum 1.5 & 2 mm. - Material: Stainless sheet 1.5 mm
8. Bracket: EG Steel 2 mm

Size: MM.

- | | |
|-----------------------|---|
| a. 12 - 24 PORTS | = 120 (D) x 399 (H) x 350 (W) |
| b. 48 - 60 PORTS | = 152 (D) x 466 (H) x 390 (W) |
| c. 72, 120 PORTS | = 165 (D) x 551 (H) x 420 (W) Splice Tray 12 Fibers |
| d. 72/120 PORTS | = 184 (D) x 616.40 (H) x 465 (W) |
| e. 128, 144, 240 PORT | = 170 (D) x 670 (H) x 430 (W) |
| f. 288 – 320 PORTS | = 240 (D) x 675 (H) x 460 (W) SC Duplex |
| g. 288 PORTS | = 314 (D) x 665 (H) x 500 (W) |
| h. 576 PORTS | = 309 (D) x 882 (H) x 560 (W) |
| i. 720 PORTS | = 254 (D) x 1270 (H) x 510 (W) |

Size: MM (TOT and TRUE)

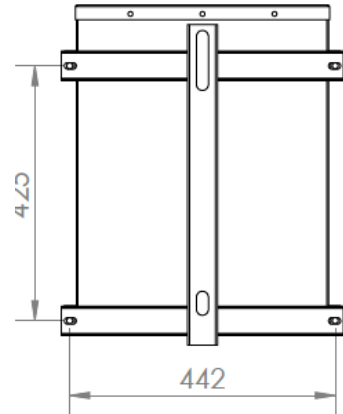
- | | |
|------------------------|-----------------------------------|
| a) 12 - 24 PORTS | = 124.5 (D) x 408.5 (H) x 350 (W) |
| b) 48 - 60 PORTS | = 155 (D) x 486.5 (H) x 390 (W) |
| c) 48 – 60 PORTS | = 155 (D) x 466.5 (H) x 390 (W) |
| d) 72, 120 PORTS | = 184 (D) x 616.5 (H) x 440 (W) |
| e) 120 PORTS | = 165 (D) x 506.5 (H) x 450 (W) |
| f) 128, 144, 240 PORTS | = 173 (D) x 665 (H) x 430 (W) |
| g) 288 – 320 PORTS | = 233 (D) x 675 (H) x 460 (W) |
| h) 576 PORTS | = 309 (D) x 882 (H) x 560 (W) |

OFCCC & FTTx Aluminum Outdoor Wall Mount 72/120 Fibers

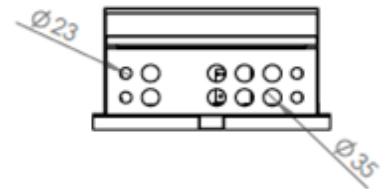
Size: 165 (D) x 551 (H) x 420 (w)
 Size: 184 (D) x 616.40 (H) x 440 (W)
 Materials: Aluminum 1.5 mm



Aluminum Outdoor
 Wall Mount 72 - 120 F
 OFCCC & FTTx
 With Splice Tray 12
 Fiber.



Bracket 120F



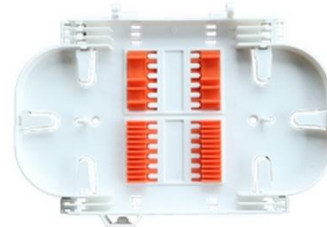
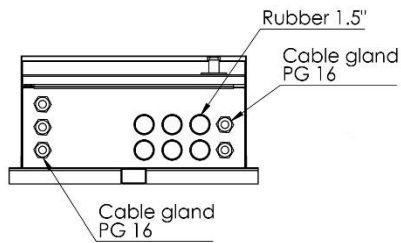
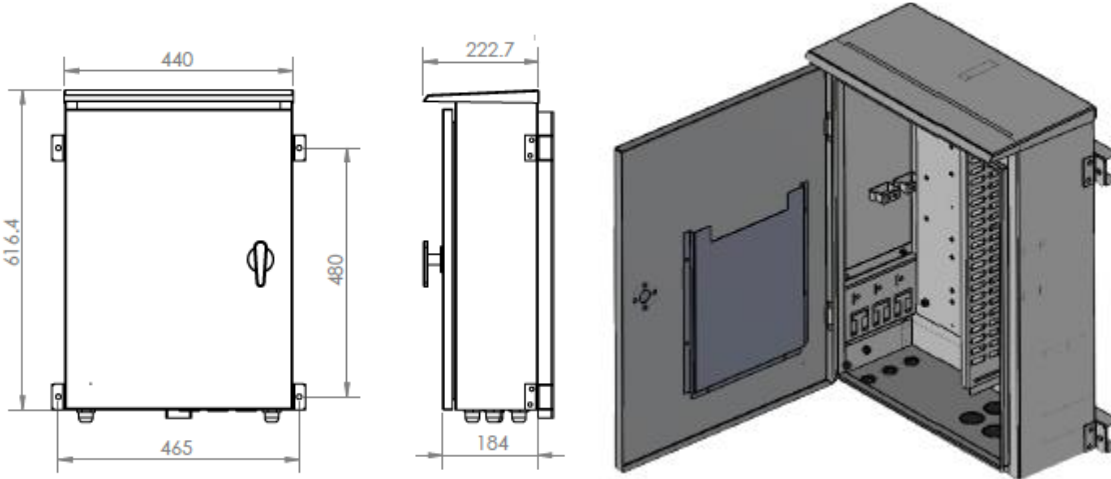
For Splitter Boxes Type (Type B)



OFCCC & FTTx Aluminum Outdoor Wall Mount 72/120 Fibers - NEW

Size: 184 (D) x 616.40 (H) x 465 (W)

Materials : Aluminum 1.5 mm

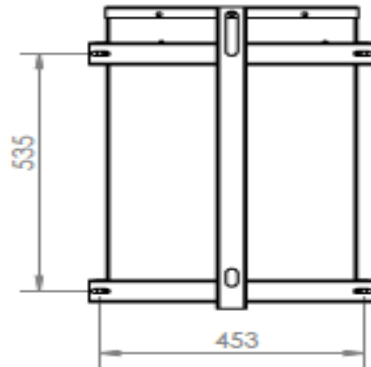


Splice Tray for SPT

**OFCCC & FTTx Aluminum Outdoor Wall Mount 128/144, 240 Fibers
SC-DX For Splitter 1 : 32 Type B with Packing Lots**

Size: 170 (D) x 670 (H) x 430 (W)

Materials : Aluminum 2 mm



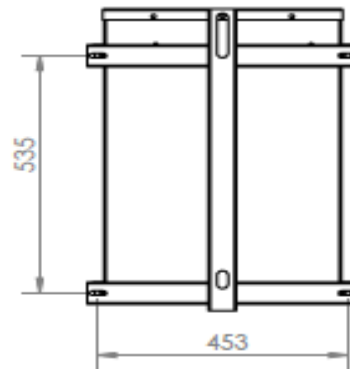
Bracket for Outdoor Wall 240 F



Splice Tray 12 Fiber



Splice Tray 24 Fiber



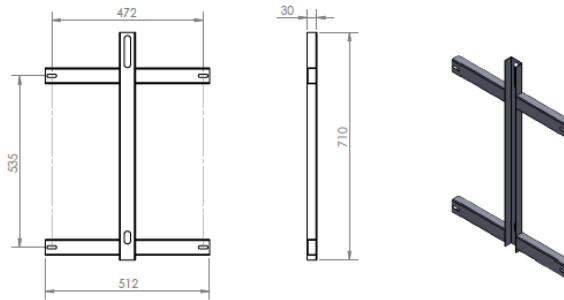
Bracket for 144 – 240 Fibers

OFCCC Aluminum Outdoor Wall Mount 288 - 320 Fiber (SC SX & DX)

Size : 240 (D) x 675 (H) x 460 (W)

Size : 314 (D) x 665 (H) x 500 (W)

Material : AL 2.00 mm



Bracket for Outdoor Wall Mount 288 - 320 Fibers

For Splitter Type A and Type B



Mini OFCCC & FTTx 12 - 60 Fiber on Floor small type

Size H = 94 cm W = 43 cm D = 17 cm



OFCCC & FTTx 144 Fiber on Floor

Size 995 x 430 x 200 mm Model: **JK 120-144 FF**

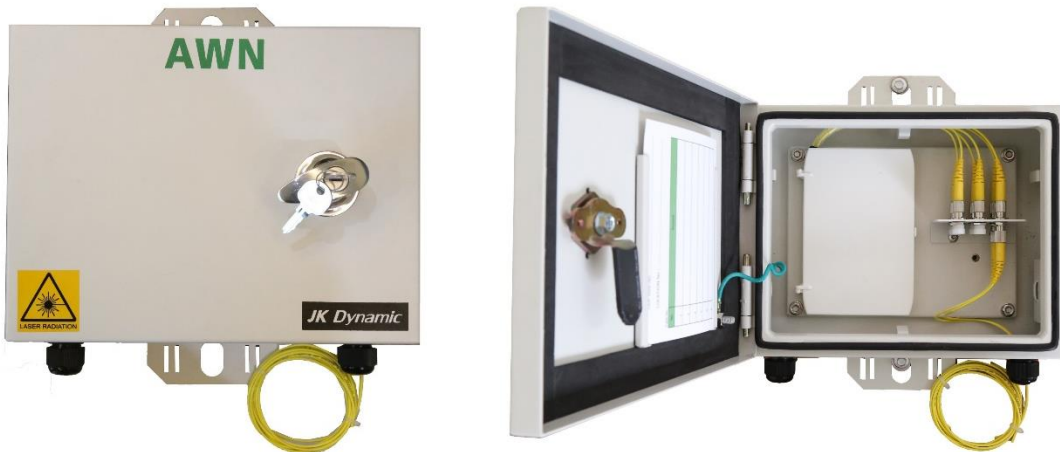


Aluminum Outdoor Wall Mount 12, 24 48, 60, 120 Fibers



MINI Aluminum Outdoor Wall on Pole 6 Fibers

Material: Aluminum 1.5 mm. Size: H21 x W27 x D10.5 cm



CODE	Product Type	Capacity	Packing	Net Weight	Gross Weight w/B
JK ODF0012	ODF 12F Outdoor Wall	12 Fibers	1 set/box	5.1 kgs.	6.90 kgs.
JK ODF0024	ODF 24F Outdoor Wall	24 Fibers	1 set/box	5.2 kgs.	7.00 kgs.
JK ODF0048	ODF 48F Outdoor Wall	48 Fibers	1 set/box	6.9 kgs.	8.80 kgs.
JK ODF0060	ODF 60F Outdoor Wall	60 Fibers	1 set/box	7.00 kgs.	8.90 kgs.
JK ODF0072	ODF 72F Outdoor Wall	72 Fibers	1 set/box	8.5 kgs.	10.60 kgs.
JK ODF0096	ODF 96F Outdoor Wall	96 Fibers	1 set/box	8.6 kgs.	10.70 kgs.
JK ODF0120 D	ODF 120F Outdoor Wall	120 Fibers	1 set/box	8.7 kgs.	10.80 kgs.
JK ODF0144 S	ODF 144F Outdoor Wall	144 Fibers	1 set/box	11.60 kgs.	14.00 kgs.
JK ODF0240 D	ODF 240F Outdoor Wall	240 Fibers	1 set/box	11.80 kgs.	14.20 kgs.
JK ODF0180 S	ODF 180F Outdoor Wall	180 Fibers	1 set/box	13.30 kgs.	15.90 kgs.
JK ODF0288 D	ODF 288F Outdoor Wall	288 Fibers	1 set/box	13.60 kgs.	16.60 kgs.
JK ODF0320 D24TR	ODF 320F Outdoor Wall	320 Fibers	1 set/box	13.30 kgs.	15.90 kgs.

Pigtail + Adapter SC/APC

CODE	Product Type	Capacity	Packing	Net Weight	Gross Weight
JK ODF0012	ODF 12F Outdoor Wall	12 Fibers	1 set/box	5.1 kg.	5.30 kgs.
JK ODF0024	ODF 24F Outdoor Wall	24 Fibers	1 set/box	5.2 kg.	5.60 kgs.
JK ODF0048	ODF 48F Outdoor Wall	48 Fibers	1 set/box	6.8 kg.	7.80 kgs.
JK ODF0060	ODF 60F Outdoor Wall	60 Fibers	1 set/box	6.9 kg.	8.10 kgs.
JK ODF0072	ODF 72F Outdoor Wall	72 Fibers	1 set/box	8.4 kg.	9.90 kgs.
JK ODF0096	ODF 96F Outdoor Wall	96 Fibers	1 set/box	8.5 kg.	10.50 kgs.
JK ODF0120 D	ODF 120F Outdoor Wall	120 Fibers	1 set/box	8.6 kg.	11.30 kgs.
JK ODF0144 S	ODF 144F Outdoor Wall	144 Fibers	1 set/box	11.8 kg.	14.70 kgs.
JK ODF0240 D	ODF 240F Outdoor Wall	240 Fibers	1 set/box	12.2 kg.	16.70 kgs.
JK ODF0180 S	ODF 180F Outdoor Wall	180 Fibers	1 set/box	13.4 kg.	17.10 kgs.
JK ODF0288 D	ODF 288F Outdoor Wall	288 Fibers	1 set/box	14.1 kg.	19.70 kgs.
JK ODF0320 D24TR	ODF 320F Outdoor Wall	320 Fibers	1 set/box	13.3 kg.	20.00 kgs.