

Aluminum Outdoor Wall Mount

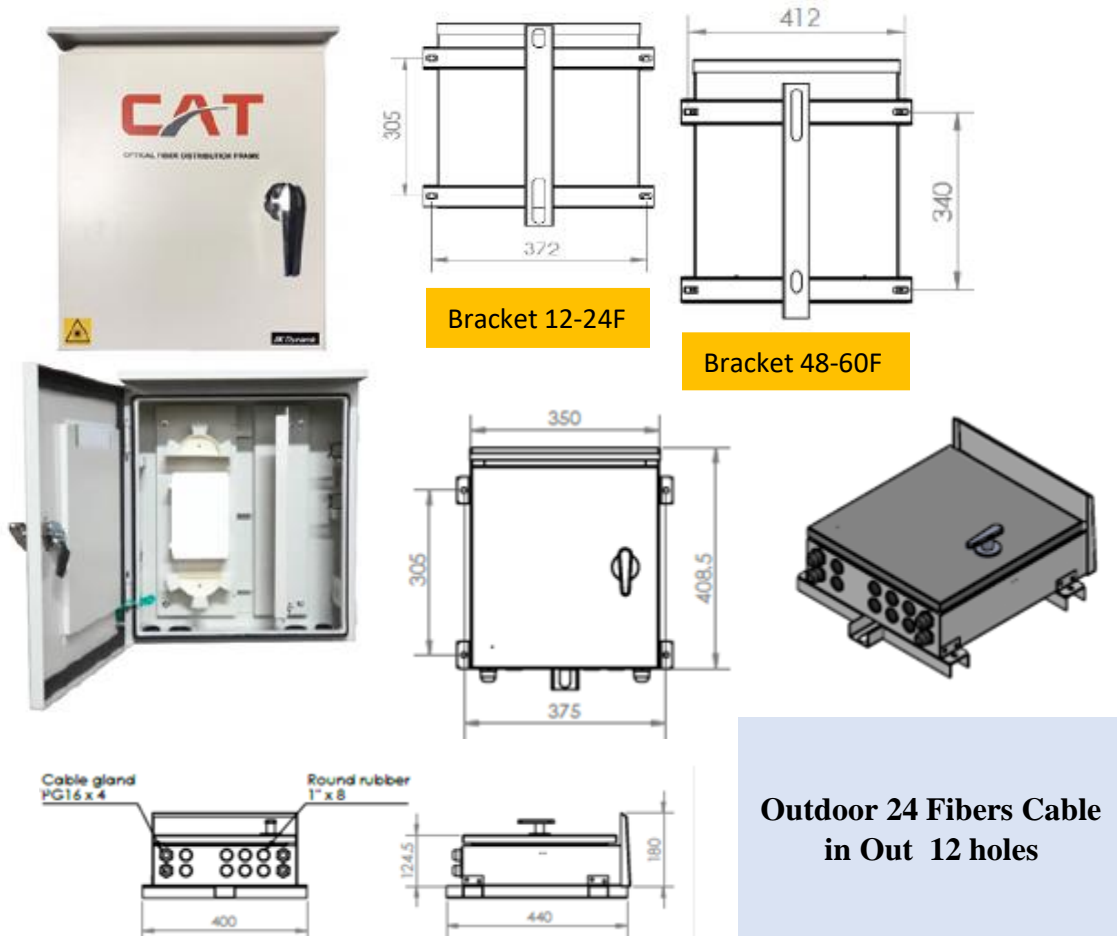
12 -24, 48-60 F OFCCC & FTTx

Made of 1.5 mm stainless and Aluminum sheet, powder coated 65 microns in the standard beige color. Available for 12, 24,48, 60, 72, 120, 128, 144, 240; cable insertion pre-punched for cable gland PG 21; as well as with connectors. Depending on the cable diameter, the cable can be stored in pre-formed holes through a sectional cable inlet or cable feeding through a grommet. Easy access of FC, SC, LC, ST, E2000, OFCC & FTTx 1:2 panel and 1:64 PLC Splitter. 1 door lockable and 12 Key IP 65, 24 splice tray protected adapter holder panel. Sliding material: aluminum 1.5 & 2 mm.

Aluminum Outdoor Wall Mount 12 – 24 Fibers

Size: 120 (D) x 399 (H) x 350 (W)

Material: Aluminum 1.5 mm



Features / Benefits

1. Provides easy access for connector FC, SC, LC, ST, E2000 panel
2. OFCCC & FTTx 1:2 up to 1:64 PLC Splitter
3. One door lockable and Key IP 65
4. IP 65 protected
5. 12, 24 splice tray holders
6. Panel for adapter can be sliding
7. Material: Aluminum 1.5 & 2 mm. - Material: Stainless sheet 1.5 mm
8. Bracket: EG Steel 2 mm

Size: MM.

- a. 12 - 24 PORTS = 120 (D) x 399 (H) x 350 (W)
- b. 48 - 60 PORTS = 152 (D) x 466 (H) x 390 (W)
- c. 72, 120 PORTS = 165 (D) x 551 (H) x 420 (W) *Splice Tray 12 Fibers*
- d. 72/120 PORTS = 184 (D) x 616.40 (H) x 465 (W) *new*
- e. 128, 144, 240 PORT = 170 (D) x 670 (H) x 430 (W)
- f. 288 – 320 PORTS = 240 (D) x 675 (H) x 460 (W) SC Duplex
- g. 288 PORTS = 314 (D) x 665 (H) x 500 (W) *TOT 108*
- h. 576 PORTS = 309 (D) x 882 (H) x 560 (W)
- i. 720 PORTS = 254 (D) x 1270 (H) x 510 (W)

Size: MM (TOT and TRUE)

- a) 12 - 24 PORTS = 124.5 (D) x 408.5 (H) x 350 (W)
- b) 48 - 60 PORTS = 155 (D) x 486.5 (H) x 390 (W)
- c) 48 – 60 PORTS = 155 (D) x 466.5 (H) x 390 (W) *TRUE*
- d) 72, 120 PORTS = 184 (D) x 616.5 (H) x 440 (W) *TOT new*
- e) 120 PORTS = 165 (D) x 506.5 (H) x 450 (W) *TRUE*
- f) 128, 144, 240 PORTS = 173 (D) x 665 (H) x 430 (W)
- g) 288 – 320 PORTS = 233 (D) x 675 (H) x 460 (W)
- h) 576 PORTS = 309 (D) x 882 (H) x 560 (W)

OFCCC & FTTx Aluminum Outdoor Wall Mount 72/120 Fibers

Size: 165 (D) x 551 (H) x 420 (w)

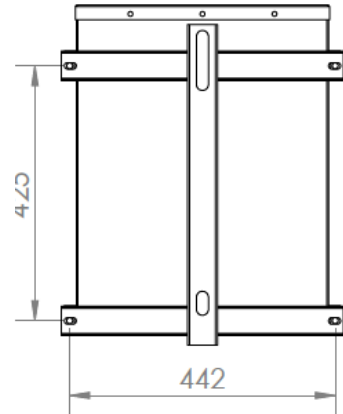
Size: 184 (D) x 616.40 (H) x 440 (W) *TOT 108 new*

Materials: Aluminum 1.5 mm

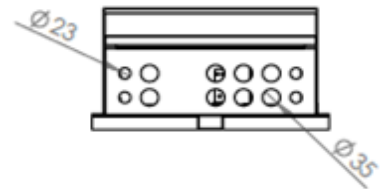


Aluminum Outdoor
Wall Mount 72 - 120 F
OFCCC & FTTx

With Splice Tray 12
Fiber.



Bracket 120F



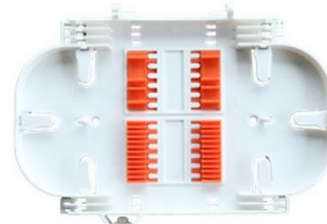
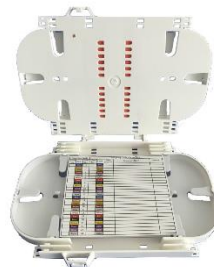
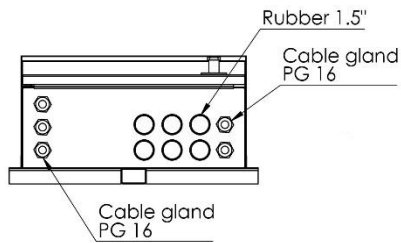
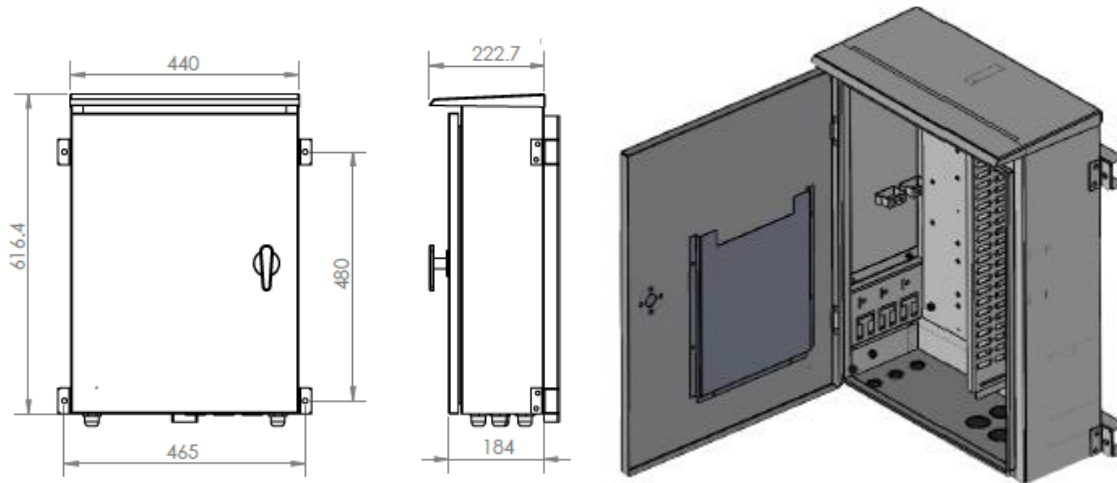
For Splitter Boxes Type (Type B)



OFCCC & FTTx Aluminum Outdoor Wall Mount 72/120 Fibers - NEW

Size: 184 (D) x 616.40 (H) x 465 (W)

Materials : Aluminum 1.5 mm

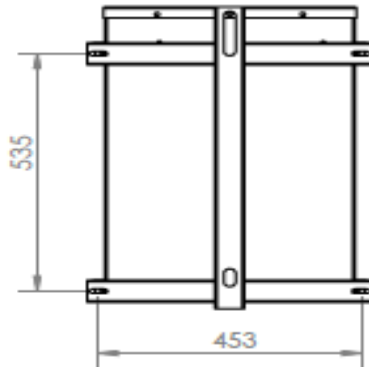


Splice Tray for SPT

**OFCCC & FTTx Aluminum Outdoor Wall Mount 128/144, 240 Fibers
SC-DX For Splitter 1 : 32 Type B with Packing Lots**

Size: 170 (D) x 670 (H) x 430 (W)

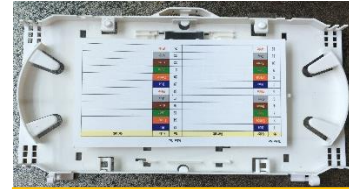
Materials : Aluminum 2 mm



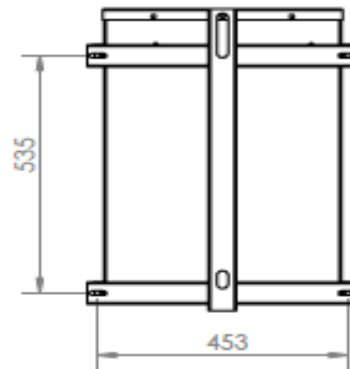
Bracket for Outdoor Wall 240 F



Splice Tray 12 Fiber



Splice Tray 24 Fiber



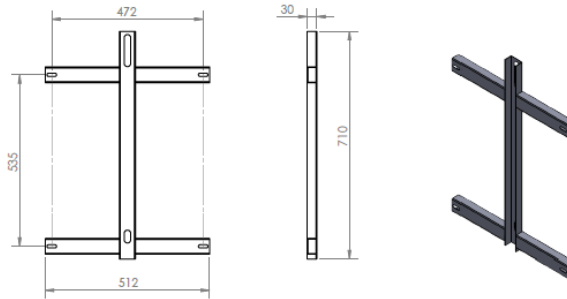
Bracket for 144 – 240 Fibers

OFCCC Aluminum Outdoor Wall Mount 288 - 320 Fiber (SC SX & DX)

Size : 240 (D) x 675 (H) x 460 (W)

Size : 314 (D) x 665 (H) x 500 (W) *TOT 108 new*

Material : AL 2.00 mm



Bracket for Outdoor Wall Mount 288 - 320 Fibers

For Splitter Type A and Type B



Mini OFCCC & FTTx 12 - 60 Fiber on Floor small type

Size H = 94 cm W = 43 cm D = 17 cm



OFCCC & FTTx 144 Fiber on Floor

Size 995 x 430 x 200 mm Model: **JK 120-144 FF**

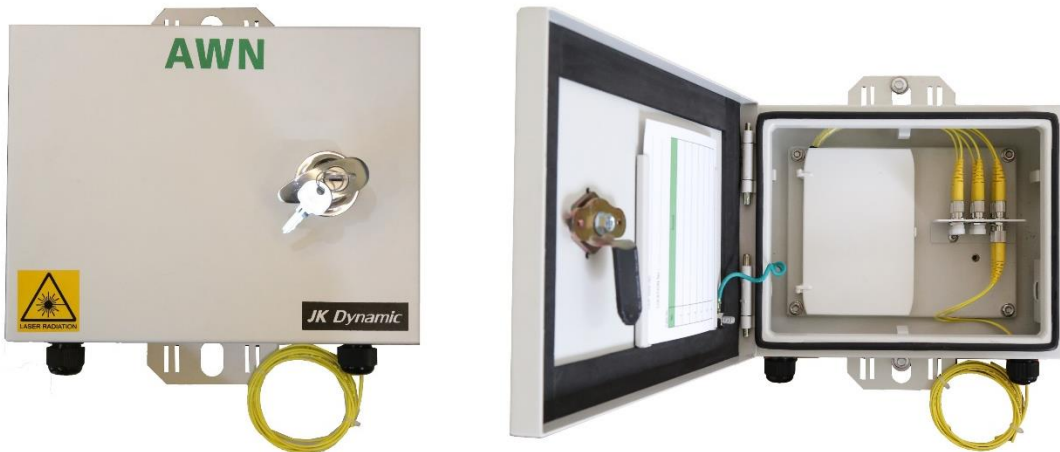


Aluminum Outdoor Wall Mount 12, 24 48, 60, 120 Fibers TRUE



MINI Aluminum Outdoor Wall on Pole 6 Fibers

Material: Aluminum 1.5 mm. Size: H21 x W27 x D10.5 cm



| CODE | Product Type | Capacity | Packing | Net Weight | Gross Weight w/B |
|------------------|-----------------------|------------|-----------|------------|------------------|
| JK ODF0012 | ODF 12F Outdoor Wall | 12 Fibers | 1 set/box | 5.1 kgs. | 6.90 kgs. |
| JK ODF0024 | ODF 24F Outdoor Wall | 24 Fibers | 1 set/box | 5.2 kgs. | 7.00 kgs. |
| JK ODF0048 | ODF 48F Outdoor Wall | 48 Fibers | 1 set/box | 6.9 kgs. | 8.80 kgs. |
| JK ODF0060 | ODF 60F Outdoor Wall | 60 Fibers | 1 set/box | 7.00 kgs. | 8.90 kgs. |
| JK ODF0072 | ODF 72F Outdoor Wall | 72 Fibers | 1 set/box | 8.5 kgs. | 10.60 kgs. |
| JK ODF0096 | ODF 96F Outdoor Wall | 96 Fibers | 1 set/box | 8.6 kgs. | 10.70 kgs. |
| JK ODF0120 D | ODF 120F Outdoor Wall | 120 Fibers | 1 set/box | 8.7 kgs. | 10.80 kgs. |
| JK ODF0144 S | ODF 144F Outdoor Wall | 144 Fibers | 1 set/box | 11.60 kgs. | 14.00 kgs. |
| JK ODF0240 D | ODF 240F Outdoor Wall | 240 Fibers | 1 set/box | 11.80 kgs. | 14.20 kgs. |
| JK ODF0180 S | ODF 180F Outdoor Wall | 180 Fibers | 1 set/box | 13.30 kgs. | 15.90 kgs. |
| JK ODF0288 D | ODF 288F Outdoor Wall | 288 Fibers | 1 set/box | 13.60 kgs. | 16.60 kgs. |
| JK ODF0320 D24TR | ODF 320F Outdoor Wall | 320 Fibers | 1 set/box | 13.30 kgs. | 15.90 kgs. |

Pigtail + Adapter SC/APC

| CODE | Product Type | Capacity | Packing | Net Weight | Gross Weight |
|------------------|-----------------------|------------|-----------|------------|--------------|
| JK ODF0012 | ODF 12F Outdoor Wall | 12 Fibers | 1 set/box | 5.1 kg. | 5.30 kgs. |
| JK ODF0024 | ODF 24F Outdoor Wall | 24 Fibers | 1 set/box | 5.2 kg. | 5.60 kgs. |
| JK ODF0048 | ODF 48F Outdoor Wall | 48 Fibers | 1 set/box | 6.8 kg. | 7.80 kgs. |
| JK ODF0060 | ODF 60F Outdoor Wall | 60 Fibers | 1 set/box | 6.9 kg. | 8.10 kgs. |
| JK ODF0072 | ODF 72F Outdoor Wall | 72 Fibers | 1 set/box | 8.4 kg. | 9.90 kgs. |
| JK ODF0096 | ODF 96F Outdoor Wall | 96 Fibers | 1 set/box | 8.5 kg. | 10.50 kgs. |
| JK ODF0120 D | ODF 120F Outdoor Wall | 120 Fibers | 1 set/box | 8.6 kg | 11.30 kgs. |
| JK ODF0144 S | ODF 144F Outdoor Wall | 144 Fibers | 1 set/box | 11.8 kg | 14.70 kgs. |
| JK ODF0240 D | ODF 240F Outdoor Wall | 240 Fibers | 1 set/box | 12.2 kg. | 16.70 kgs. |
| JK ODF0180 S | ODF 180F Outdoor Wall | 180 Fibers | 1 set/box | 13.4 kg. | 17.10 kgs. |
| JK ODF0288 D | ODF 288F Outdoor Wall | 288 Fibers | 1 set/box | 14.1 kg. | 19.70 kgs. |
| JK ODF0320 D24TR | ODF 320F Outdoor Wall | 320 Fibers | 1 set/box | 13.3 kg. | 20.00 kgs. |